



# Welcome Sign

TG0889

TGO's integrated, easy to understand signage is second to none with start & finish diagrams, fitness tips and advice, & QR codes which you can scan to view the 'How to use' demo video shown by our TGO Trainers. These allow users to exercise with confidence; resting assured that they are working safely and getting the most out of their workout.

TGO signage includes: instructional guidance on usage (in at least 12 - 14pt font size for visually impaired), exercise benefits, handy tips and training techniques, and appropriate disclaimers and waiver notices. Our welcome sign comes with instructions- just scan the code to connect to our YouTube library; packed full of short video clips of helpful trainer tips.

## Specification

1. 100% Made in Britain
2. Certified to EN16630, (legacy standards, BSI PAS888 - safety compliant for ALL ages, users and non-users & DIN79000 - safety compliant for users, aged 14+). All TGO outdoor gym equipment is free from exposed end stops, entrapments, sharp edges and crush points

**ALWAYS ASK FOR EN16630 FOR OUTDOOR GYMS**

3. Weatherproof
4. Low maintenance
5. Designs include key elements of Inclusive Fitness Initiative guidelines
6. TGO plant a tree in the NHS Forest for every piece of equipment sold
7. Anti vandal fixings
8. Available in all major RAL colours
9. Paint UV stabilised
10. Welds certified to EN15015614
11. Powder coated finish



Social media links

Certificates

Activate App

MTV presenter Shanie Ryan stars in TGO's QR coded workout videos



**Guarantees**  
 25 years steel work  
 2 years bearings  
 5 years paint

Download the app and start scanning. This QR code allows you to log your workouts



# Welcome Sign

## TG0889

### Production Details

Manufacturer Standard: EN16630 (legacy standards - PAS888, Din79000)  
 Framework: Mild Steel Grade S275 or Stainless Steel Grade 316 (min 3mm thick)  
 Finish: E coat primer then High quality gloss finish polyester powder coat paint  
 Signage Plate: High quality reverse printed PETG

### Enhanced Corrosion Protection

An enhanced corrosion protection is available on request for this product. Hot dip galvanising is the process TGO use to add a protective coating to the body of our products on our equipment in coastal areas, which have higher air salinity or in harsh urban and industrial atmospheres with higher sulphur dioxide pollution\*.

The upgrade includes:

- Upgrading to hot dip galvanising
- Fixings are upgraded from A2 to A4 stainless steel

\*An upgrade to galvanised steel will be necessary for the warranty in these environments.

### Installation

The dimensions given are the minimum requirement for regular ground conditions & may need to be amended for made up or soft ground.

Due to the low physical nature of the TG0889 Sign Post, TGO have identified that this product can all be installed using only a 300mm x 300mm x 350mm concrete pad, located centrally about the TG0889 Sign Post. The Concrete pad starts at the ground surface.

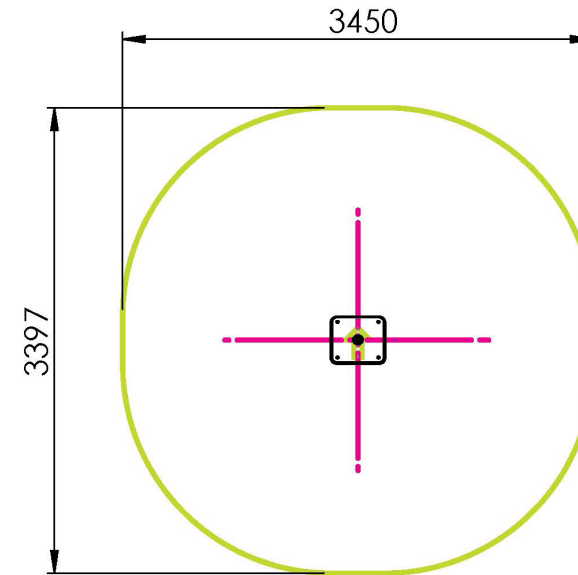
### NOTE:

There is no surface mounting option for TG0889 Sign Post.

### Safety

This product requires 1.5m of clear space around the equipment (green outline). There is no safer surface requirement and therefore TGO only recommend a minimal surface area (grey outline).

Clear Space Required  Recommended Surfacing  Base Plate & Centre Lines   
 (25mm tolerance added in each direction)



\*An upgrade to galvanised steel will be necessary for the warranty in these environments.

